

Roma
trick

A TRICK 100 CLASSIC - 25

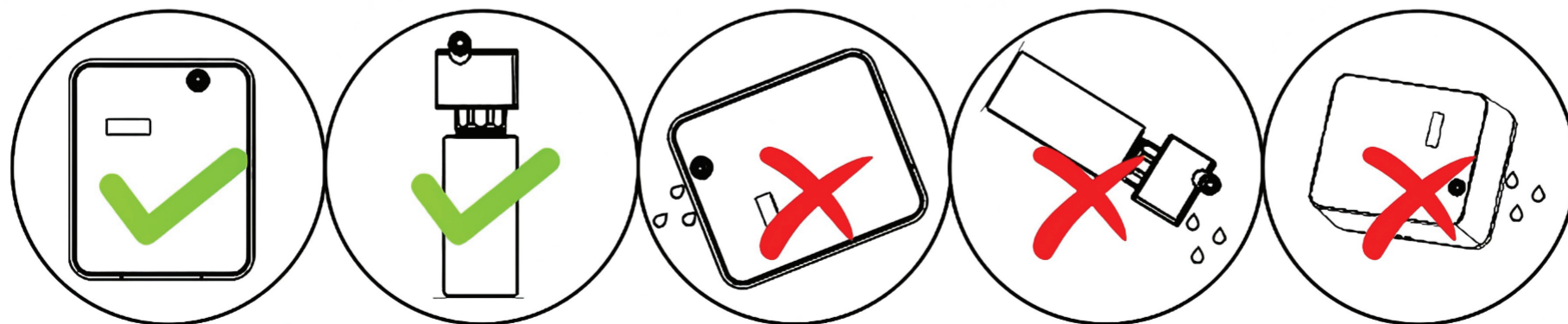


Manifest Brand Development Ltd

Company Reg. Number 13498335, VAT Number GB 424451222, customercare@aromatrick.co.uk

SAFETY USE

- 1, Using the fragrance oils provided by us. Do not add water or alcohol.
- 2, Do not operate the device without scent oil for extended periods.
3. Don't fill liquid inside the device during transportation.
4. Don't put any obstructions in front of the mist outlet
5. Must tighten the bottle
6. Do not disassemble or modify the internal components of the device .
7. Do not use overloaded power main and sockets.
8. Do not use damaged power wires or plugs.
9. Keep away device from children & pets.
10. Do not immerse the device in water or expose it to water sprays.
11. Keep the device away from flammable or explosive materials.
12. Always keep the device upright during when the oils are in the device bottle.

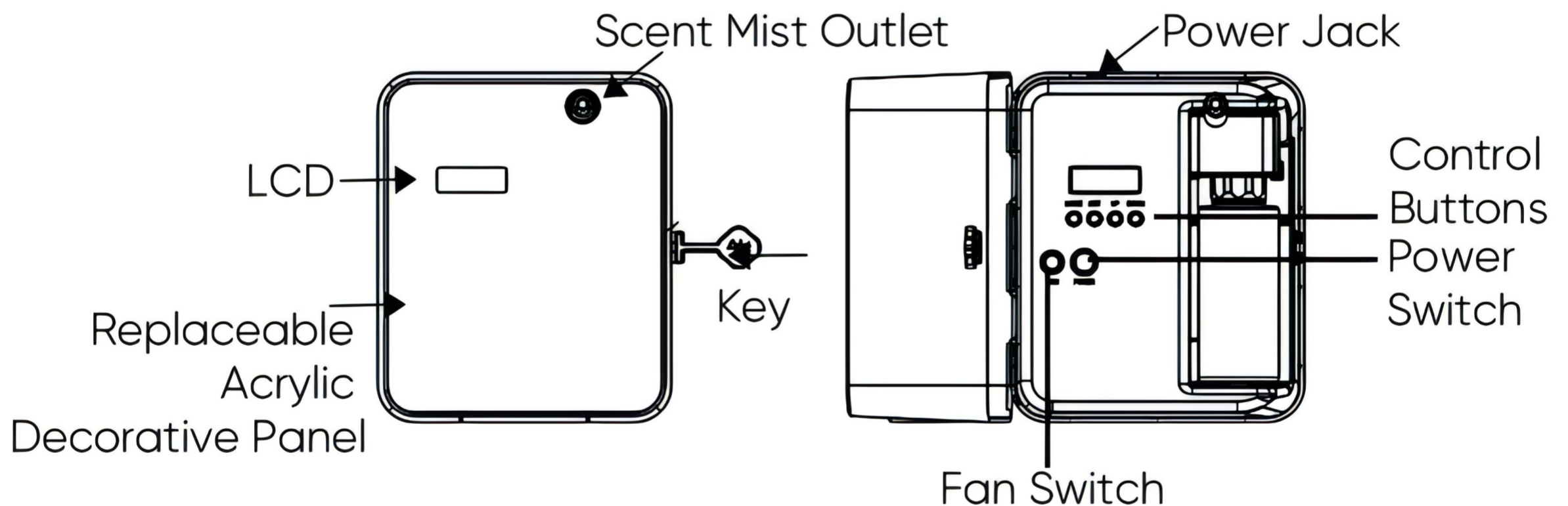


PARAMETERS

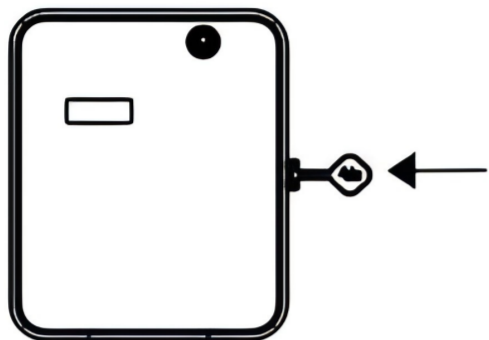
Material	Plastic PP
Dimensions	L178 * D99 * H212 mm
Net Weight	1 kg
Input Voltage	110- 240 AC
Output Voltage	12V DC
Power	5w
Capacity	180ml
Noise Level	<38 DBA
Coverage	300-1000 cubic Meters
Oil Consumption	Maximum 2 ml/h
Installation Way	Desktop, Wall mounted

Remark: the oil consumption is only for reference, cause we test with the highest scent intensity setting, use our own oils, room is 30 degree, 45% air humidity.

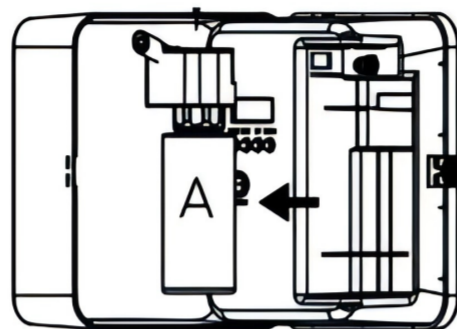
OPERATION INSTRUCTIONS



Aroma trick



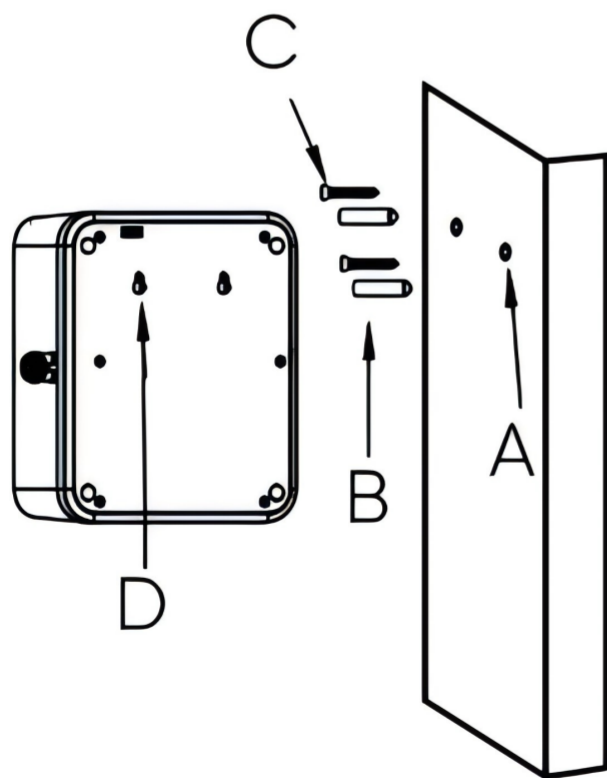
1 Insert the key into the key hole to open the door



2 Take out the part A, screw out the bottle, fill the oils into the bottle, screw back the bottle **tightly**.



3 Connect the adapter to the power jack that is on the top

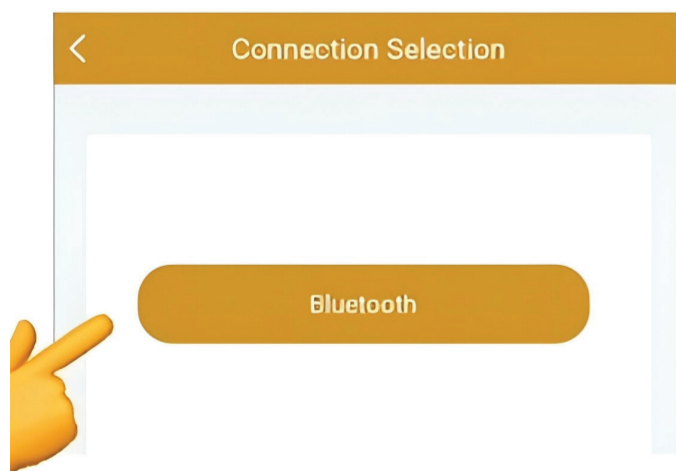


4 If need to make it wall mounted, when the wall surface is with tiles, stick the wall-mounting plate on it and squeeze out air bubbles. Hang the device after **24 hours**.

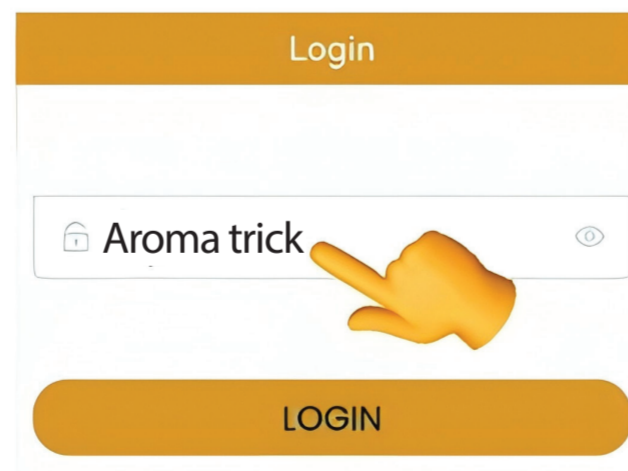
When the wall isn't smooth, stick the provided positioning paper on wall, drill two 4.5mm dia. holes (A), remove the paper. Then, insert green rubber pellets (B) into the holes and drive screws (C) into the pellets. Hang the device (D) into the screws.

BLUETOOTH CONTROL INSTRUCTIONS

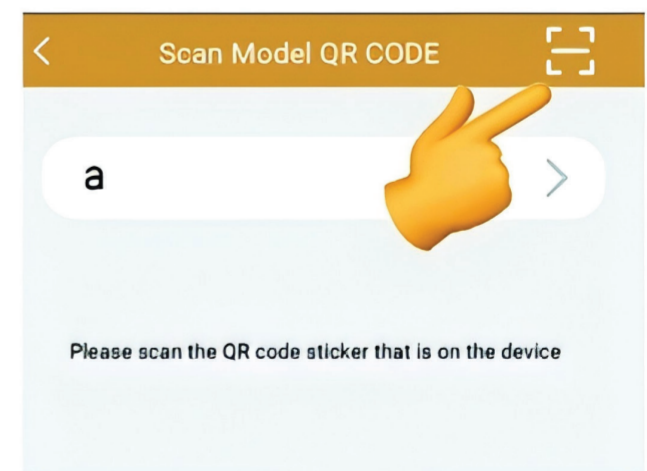
- 1 Download the "Lyon" (pic 1) APP in Google Play or APPLE STORE.
- 2 Allow all the permissions.
- 3 Choose Bluetooth (pic 2) and choose the machine coming out
- 4 Input password Lyon to login (pic 3).
- 5 Scan the QR CODE sticker that's attached on machine, to choose the machine model (pic 4), or directly choose the model



pic 2

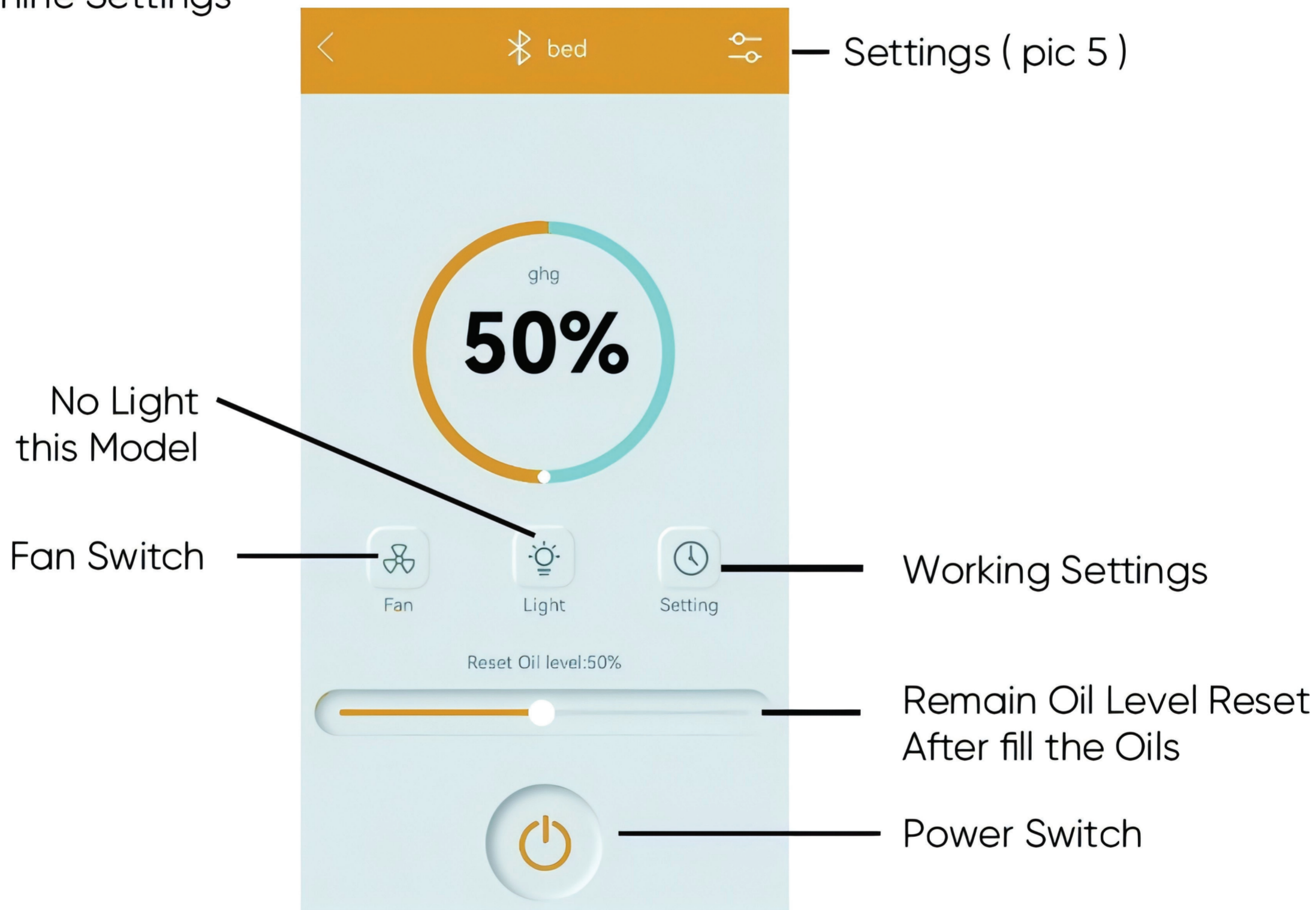


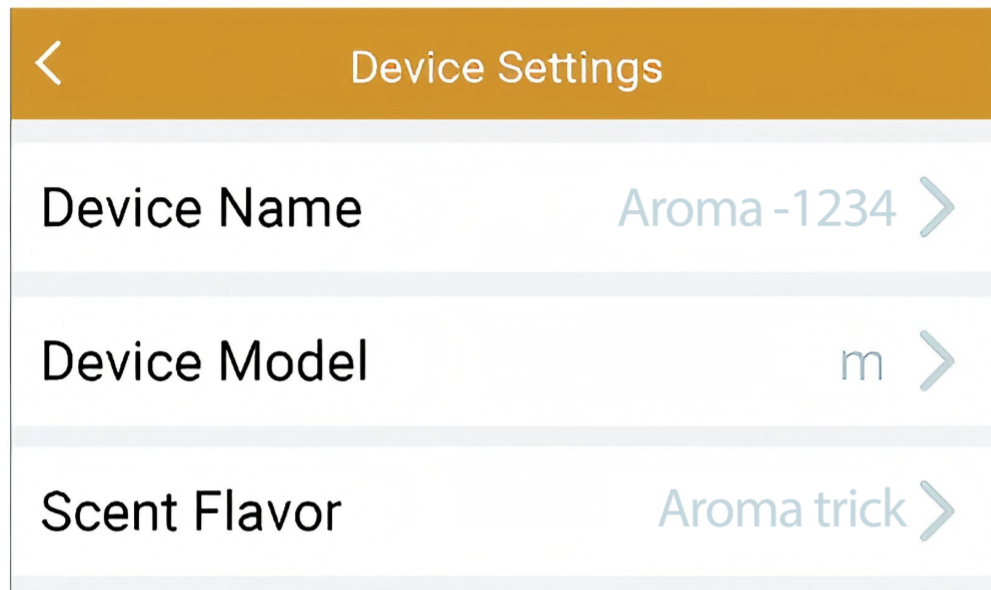
pic 3



pic 4

5 Machine Settings





Modify Machine Name to Application ,
or lovely name. Like " Living Room" "Pro"

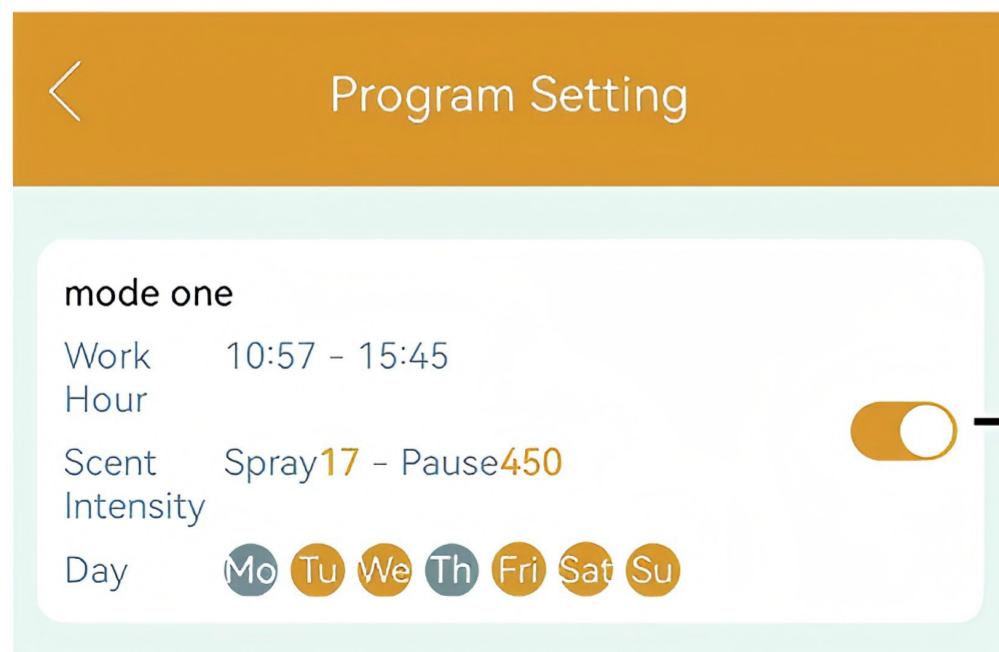
Modify Machine Model to



Modify Scent Flavor

(pic 5)

6 Working Settings



Working mode switch

< Time Setting(1) Confirm

Day

Mon Tue Wed Thu Fri Sat Sun

Working Hours

09 56 14 44

10 : 57 to 15 : 45

11 58 16 46

Scent Intensity

Grade Custom

20

Spray (second) Pause (second)

29 59

30 60

Working days selection

Slide up and down to adjust the working time
-Make sure to start work is earlier than the end time;
-The working time should not exceed 24 hours; if it exceeds, need to set Mode Two from 0:01.

Method 1 for setting the scent concentration:
Choose from 1 to 20 Grade. The higher the grade, the stronger smelling.

Method 2 to set the scent intensity: Slide up and down to adjust the spray time and the non-stray time, until to find the scent intensity is just right !



MANUAL CONTROL INSTRUCTIONS

*Unlock function: Press SET button last estimated 3 seconds until hear D D sound

*Current timer setting: Set the clock and the day same as current time
1st time press SET, into adjust the hour, press UP and DOWN buttons to choose the current hour
2st time press SET, into adjust the minute, press UP and DOWN buttons to choose the current minute
3rd time press SET, into adjust the day, press UP and DOWN buttons to choose

*Set the working time and scent intensity, first follow the 1st step to unlock the PCB
Press 1st time MODE, into set the working start time
1st time press SET, into adjust the hour, press UP and DOWN buttons to choose
2st time press SET, into adjust the minute, press UP and DOWN buttons to choose
3rd time press SET, into adjust the day, press UP and DOWN buttons to choose
Press UP to change the day is working day or not; Step is to press UP to see the MON is fast flashing (means WORKING DAY) or slow flashing (means NOT WORKING DAY), could use the UP button to change it ; And then press DONW to confirm it ; So that other days are same setting steps as Monday.



Press 2nd time MODE, into set the working off time

1st time press SET, into adjust the hour, press UP and DOWN buttons to choose

2st time press SET, into adjust the minute, press UP and DOWN buttons to choose

Press 3rd time MODE, to adjust the scent mist spray seconds, press UP and DOWN to choose from minimum 1 second, and maximum is 480 seconds; the longer spraying time, the stronger scent intensity

Press 4th time MODE, to adjust the scent mist spray seconds, press UP and DOWN to choose from minimum 1 second, and maximum is 900 seconds; the longer spraying time, the weaker scent intensity

*Until now, finish the 1st group setting

*In order to have different scent intensity in different time, or have different scent intensity in different days, will have total 5 group setting to meet this request Press 5th time MODE, could set the 2nd group setting ; the setting method is same as above point 3



MANUAL CONTROL INSTRUCTIONS

*Reset factory setting function

After unlock the PCB, press MODE until hear DD sounds, the scent machine will be back to the factory setting, means working time is from 8am to 10pm, scent intensity is spray 5 seconds, and pause 160 seconds; and there is no setting for group 2 to group 5.

*Auto locking function: when no one presses any buttons or finish all the setting steps, the PCB will lock by itself

Notes:

- 1, The working start time could not be later than the end time
- 2, If need the machine keeps working over 24 hours or over one day, need to set at least 2 group setting :
the end time of the 1st group setting is 23:59,
and the start time of the 2nd group setting is 0:01

Otherwise, the machine will not work.

CUSTOMIZED LOVE ACRYLIC SHEET

Each customized acrylic piece is a unique crystallization of emotions. It can be imprinted with a picture that holds profound memories with your beloved, engrave the name of your loved one and seal the exclusive secrets, turning it into a love beacon that will never fade in time. On birthdays, during festivals or on some ordinary yet precious days, use this customized acrylic piece to convey those deep feelings that are left unspoken. Customize the acrylic piece of love, let the sincerity shine brightly through its transparency, and interpret the unique attachment with actions. Customize it right away and let love take on a tangible form ever since.

